

NEW
product

Featuring **BAG MAKERS COLOR VISTA**

Multi-Color Imprint

- No screen charge
- No set-up charge
- No multi-color run charge

Your best choice for printing multi-color or photographic designs.



- Contains 20% post-industrial recycled content
- Recyclable
- Reusable

THERM-O-BACKPACK™

THERM-O-BACKPACK™



FEATURES
80 GSM premium non-woven polypropylene backpack with insulated interior compartment with Velcro® closure, small interior utility pocket, external mesh knit pocket, 1-inch reflective stripes, black draw cords, and carrying handle.

PRODUCTION TIME
6 business days after proof approval.

IMPRINT COLORS—COLORVISTA
4-Color Process. Pantone® spot colors are converted to CMYK colors to achieve close equivalents. Please consult a Pantone® Plus Color Bridge Coated guide to view the results of the color conversion.

ART REQUIREMENTS—Please see page 96.

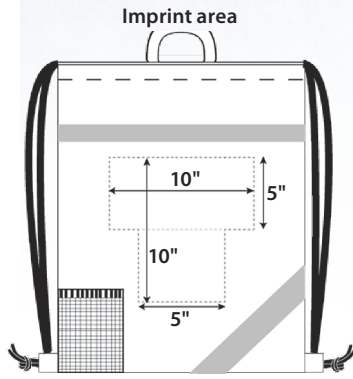
OPTIONS
For custom design options, contact our Design Centre specialists.

PRICING

THERM-O-BACKPACK—Item#: CVIRT1620
Size: 16W x 20H
Shipping: 20 lbs. per box of 50
Imprint Area: See Diagram—10W x 5H or 5W x 10H

Qty.	100	250	500	1000	3000
Price	6.08	5.58	5.48	5.38	5.28 c

Column price is per bag, in U.S. Dollars, and includes a multi-color imprint in one location.
Second Side: Not Available.
Plain Bags Broken Box Charge: \$10.00 (G).
Plain Bags: 20% off and shipped within 24 hours.



Sturdy carrying handle with cinch closure



View of insulated back

Insulated interior compartment and small utility pocket



Reflective stripes bounce light back from 50 feet!

